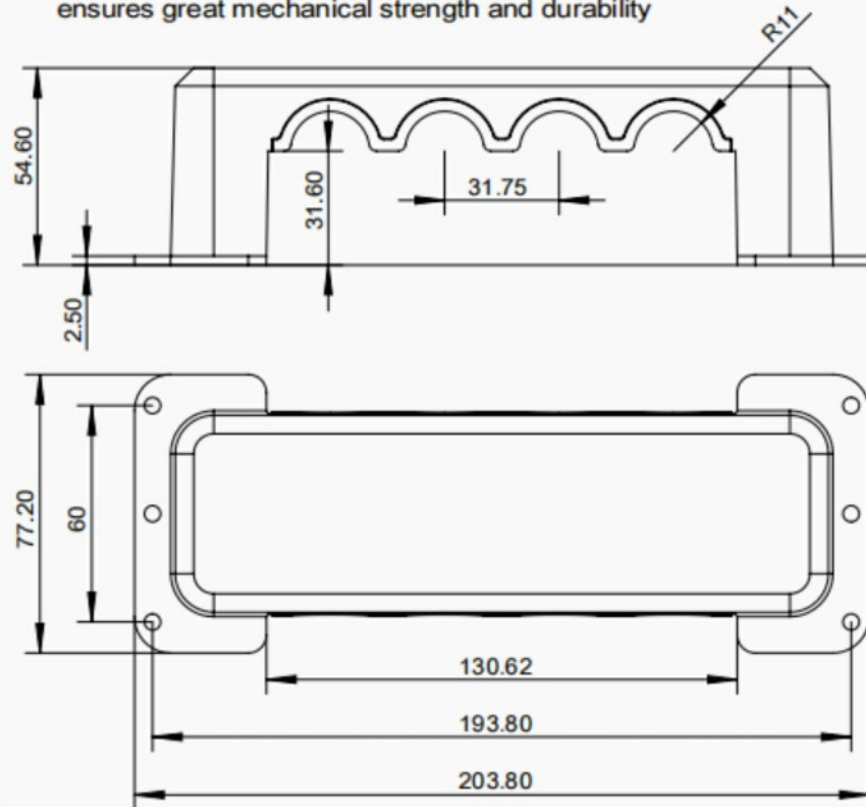




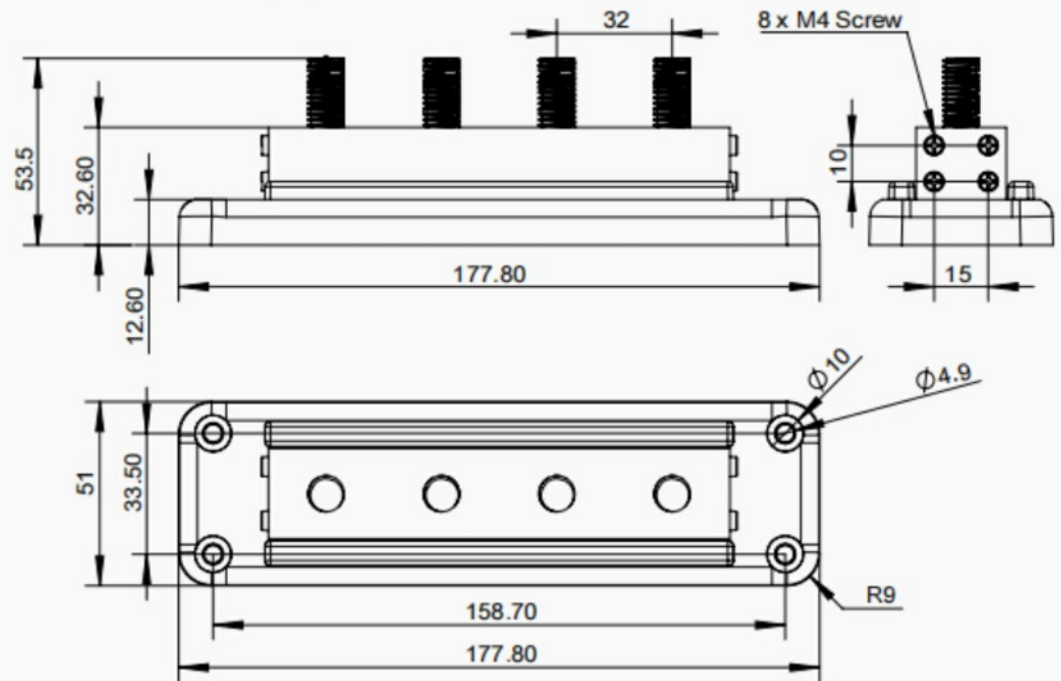
Features

- .Highest amperage rated bus bar(600A) with M10 TERMINAL STUDS
- .Glass Fiber reinforced Nylon base and enclosure ensures ensures great mechanical strength and durability



Specifications

- .Base&Cover Material :Nylon,Glass Fiber reinforc
- .Bus Material:Nickel-plated Red Copper
- .Max Operating Voltage:DC48V
- .Max continous Amp:600A
- .Terminal Stud Size:4×M10
- .Screws and studs:304 stainless steel
- .Dimensions(L×W×H):177.8×51×53.5mm
- .Including Upper Cover Size(L×W×H):203.8×77.2×54.6mm



品号 Item	件号 Part#	DCBB4B-600A	版次 Rev.	A0
品名 Title	零件 Part	DCBB4R-600A	单位 Unit	mm
材质 Mat'l	处理 Finish		比例 Ratio	1 : 2
批准 Auth	审核 CHK	制图 DWG	日期 Date	2024/07/30
			投影 Proj	第一角法 1rd

修改 Modify	日期 Date	说明事项 Revision		审核 Approval	序号 No.
尺寸/Size	0.5-6	>6-30	>30-120	>120-400	
公差/Tol	+/-0.1	+/-0.2	+/-0.3	+/-0.5	