

EasySolar 3 kVA & 5 kVA with Color Control panel

The all-in-one solar power solution

www.victronenergy.com



EasySolar 3 kVA

The all-in-one solar power solution

The EasySolar combines a MPPT solar charge controller, an inverter/charger and AC distribution in one enclosure.

The product is easy to install, with a minimum of wiring.

Color Control panel

Two outstanding functions:

- Prioritizes battery charging by the MPPT charge controller
- Connects to the internet, enabling remote monitoring (VRM website) and remote control.

AC distribution

The AC distribution consists of a RCD (30mA / 63A) and four AC outputs protected by two 10A and two 16A circuit breakers.

An additional 16A output is controlled by the AC input: it will switch on only when AC is available.

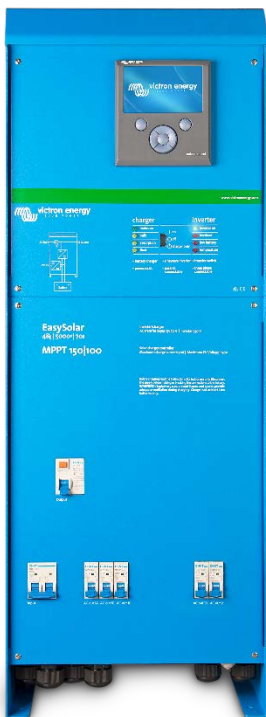
PowerAssist

Unique PowerAssist technology protects the utility or generator supply from being overloaded by adding extra inverter power when needed.

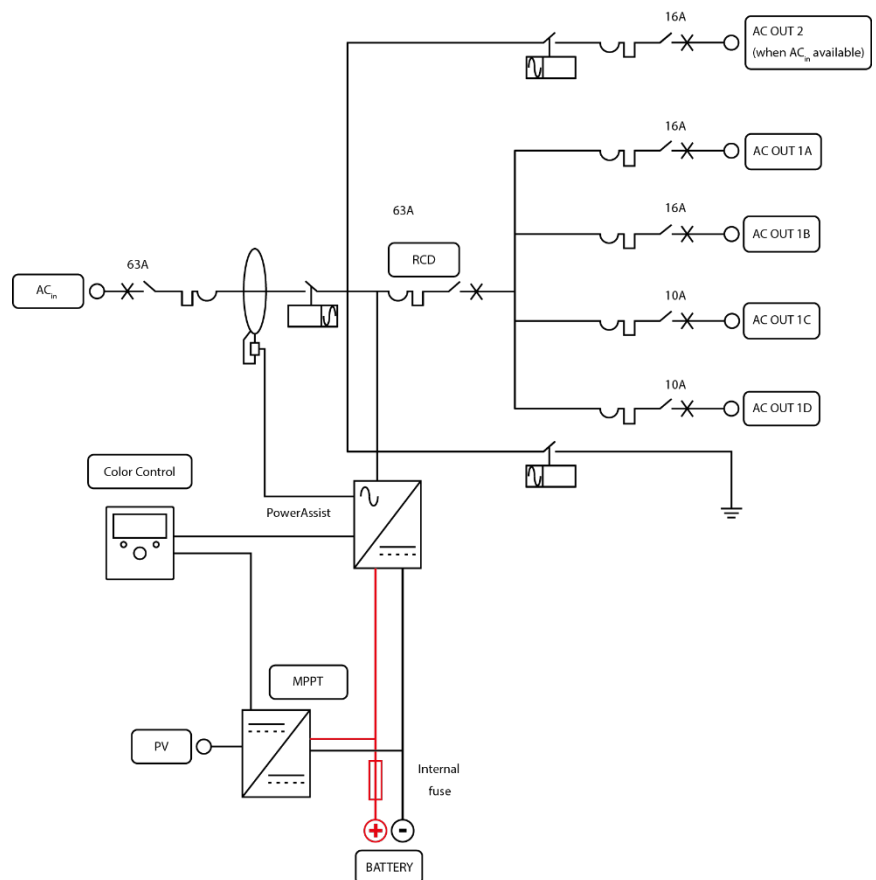
Unique solar application software

Several software programs (Assistants) are available to configure the system for various grid interactive or stand-alone applications. Please see

<http://www.victronenergy.nl/support-and-downloads/software/>



EasySolar 5 kVA



| EasySolar | EasySolar 24/3000/70-50 MPPT150/70 | EasySolar 48/3000/35-50 MPPT150/70 | EasySolar 48/5000/70-100 MPPT150/100 |
|---|--|---------------------------------------|---|
| INVERTER/CHARGER | | | |
| Transfer switch | 50A | 50A | 100A |
| INVERTER | | | |
| Input voltage range | 19 – 33V | 38 – 66V | 38 – 66V |
| 'Heavy duty' output AC 2 | 16 A | | |
| Output AC 1a, 1b, 1c, 1d | Output voltage: 230VAC ± 2% Frequency: 50 Hz ± 0,1% (1) | | |
| Cont. output power at 25°C (3) | 3000VA / 2400W | 3000VA / 2400W | 5000VA / 4000W |
| Cont. output power at 40°C | 2200W | 2200W | 3700W |
| Cont. output power at 65°C | 1700W | 1700W | 3000W |
| Peak power | 6000W | 6000W | 10000W |
| Maximum efficiency | 94% | 95% | 95% |
| Zero load power | 20W | 25W | 35W |
| Zero load power in search mode | 10W | 12W | 15W |
| CHARGER | | | |
| AC Input | Input voltage range: 187-265 VAC Input frequency: 45 – 65 Hz Power factor: 1 | | |
| Charge voltage 'absorption' | 28,8V | 57,6V | 57,6V |
| Charge voltage 'float' | 27,6V | 55,2V | 55,2V |
| Storage mode | 26,4V | 52,8V | 52,8V |
| Charge current | 70A | 35A | 70A |
| Battery temperature sensor | yes | | |
| Programmable relay (5) | yes | | |
| Protection (2) | a - g | | |
| SOLAR CHARGE CONTROLLER | | | |
| Model | MPPT 150/70-MC4 | MPPT 150/70-MC4 | MPPT 150/100-MC4 |
| Maximum output current (4) | 70A | 70A | 100A |
| Maximum PV power | 2000W | 4000W | 5800W |
| Maximum PV open circuit voltage | 150V | | |
| Maximum efficiency | 98% | | |
| Self-consumption | 10mA | | |
| Charge voltage 'absorption', default setting | 28,8V | 57,6V | 57,6V |
| Charge voltage 'float', default setting | 27,6V | 55,2V | 55,2V |
| Charge algorithm | multi-stage adaptive | | |
| Temperature compensation | -16 mV / °C | -32 mV / °C | -64 mV / °C |
| Protection | a - g | | |
| COMMON CHARACTERISTICS | | | |
| Operating temp. range | -40 to +65°C (fan assisted cooling) | | |
| Humidity (non-condensing): | max 95% | | |
| ENCLOSURE | | | |
| Material & Colour | aluminium (blue RAL 5012) | | |
| Protection category | IP 21 | | |
| Battery-connection | Four M8 bolts (2 plus and 2 minus connections) | | |
| PV connection | Two sets of MC4 PV connectors. | | Three sets of MC4 PV connectors |
| 230 V AC-connection | Screw terminals 13 mm ² (6 AWG) | | |
| Weight | 28kg | 28kg | 48kg |
| Dimensions (hwxwd) | 810 x 258 x 218 | 810 x 258 x 218 | 877 x 328 x 241 |
| STANDARDS | | | |
| Safety | EN 60335-1, EN 60335-2-29, EN 62109-1 | | |
| Emission / Immunity | EN 55014-1, EN 55014-2, EN 61000-3-3, EN 61000-6-3, EN 61000-6-2, EN 61000-6-1 | | |
| Anti-islanding | See our website | | |
| 1) Can be adjusted to 60Hz and to 240V 2) Protection: a. Output short circuit b. Overload c. Battery voltage too high d. Battery voltage too low e. Temperature too high f. 230 VAC on inverter output g. Input voltage ripple too high | 3) Non-linear load, crest factor 3:1 4) At 25°C ambient 5) Programmable relay which can be set for general alarm, DC under voltage or genset start signal function | | |