









Tri-Support Frame Installation Guide



Components List:

Model name	Tri-bracket	Angle	Bolt	Nut
Picture				

Model name	Rail	Splice	End Clamp	Inter Clamp
Picture				

For Safe Installation Work

This manual contains critical information regarding electrical and mechanical installation and safety information which you should know before starting installation.



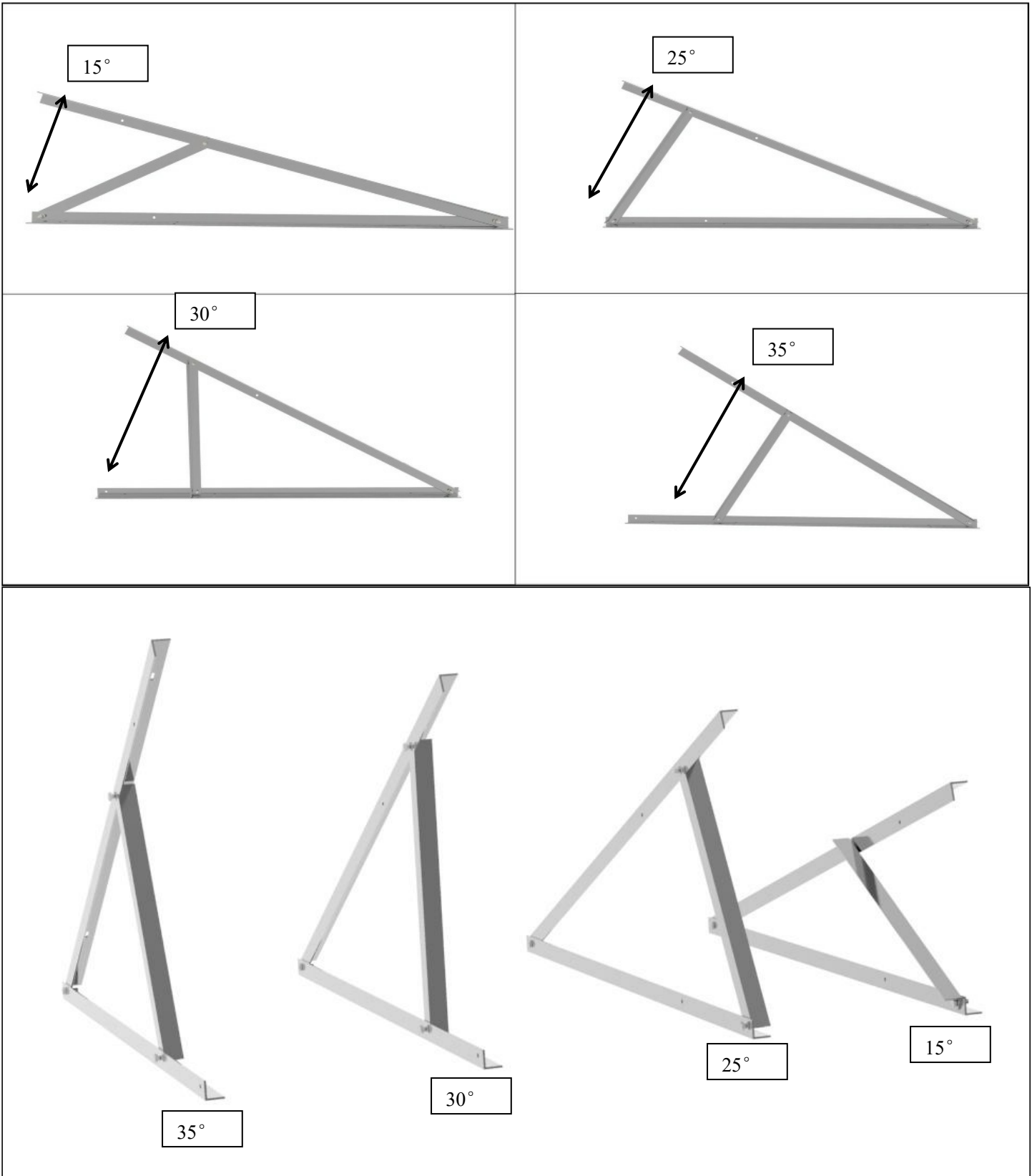
- Stop work during stormy weather. Solar modules can be caught in the wind, causing you to fall.
- Never step or sit on the glass surface of a solar module. The glass may break, resulting in shock or bodily injury. The module may also stop generating power.
- Always use the supplied parts to attach the solar modules and mounts. Use of weaker parts, such as screws that are too short, is dangerous and may cause the solar modules or mounts to fall.
- Always use the specified tools. The solar modules or mounts may fall if the installation is not strong enough, for example when parts are not tightened sufficiently.
- Do not modify or cut parts. Doing so is dangerous. Safety cannot be guaranteed.
- Product should be installed and maintained by qualified personnel. Keep unauthorized personnel away from solar module.

POINTS TO CHECK

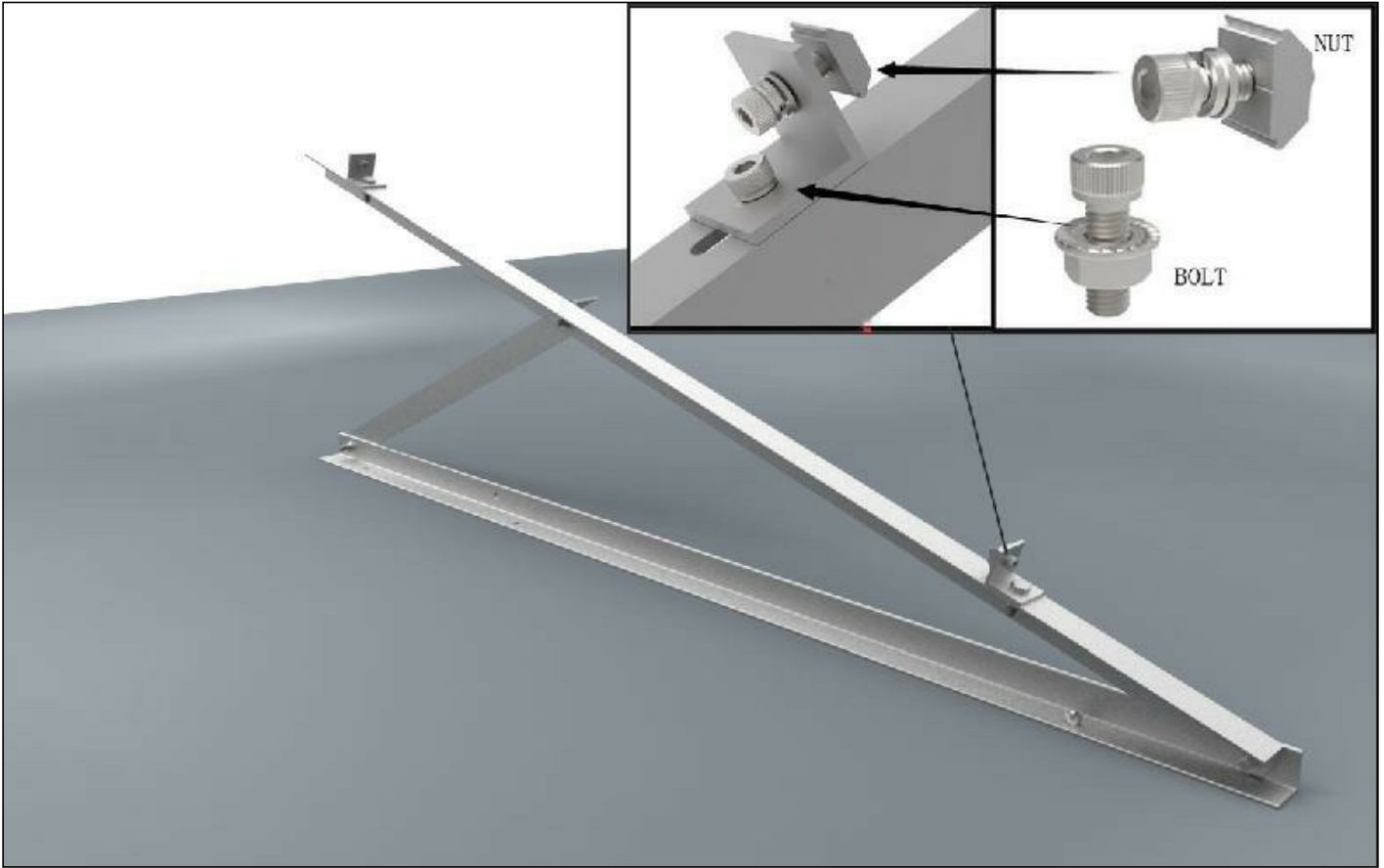
- Determine the wind loads for the installation site. Check with your local building and safety department for the specific requirements. Make certain that the roof structure can support the live and dead loads resulting from the installation of the PV array.
- Install solar modules facing south, if possible. Installations facing east and west are also possible, although the amount of power generated will be lower.

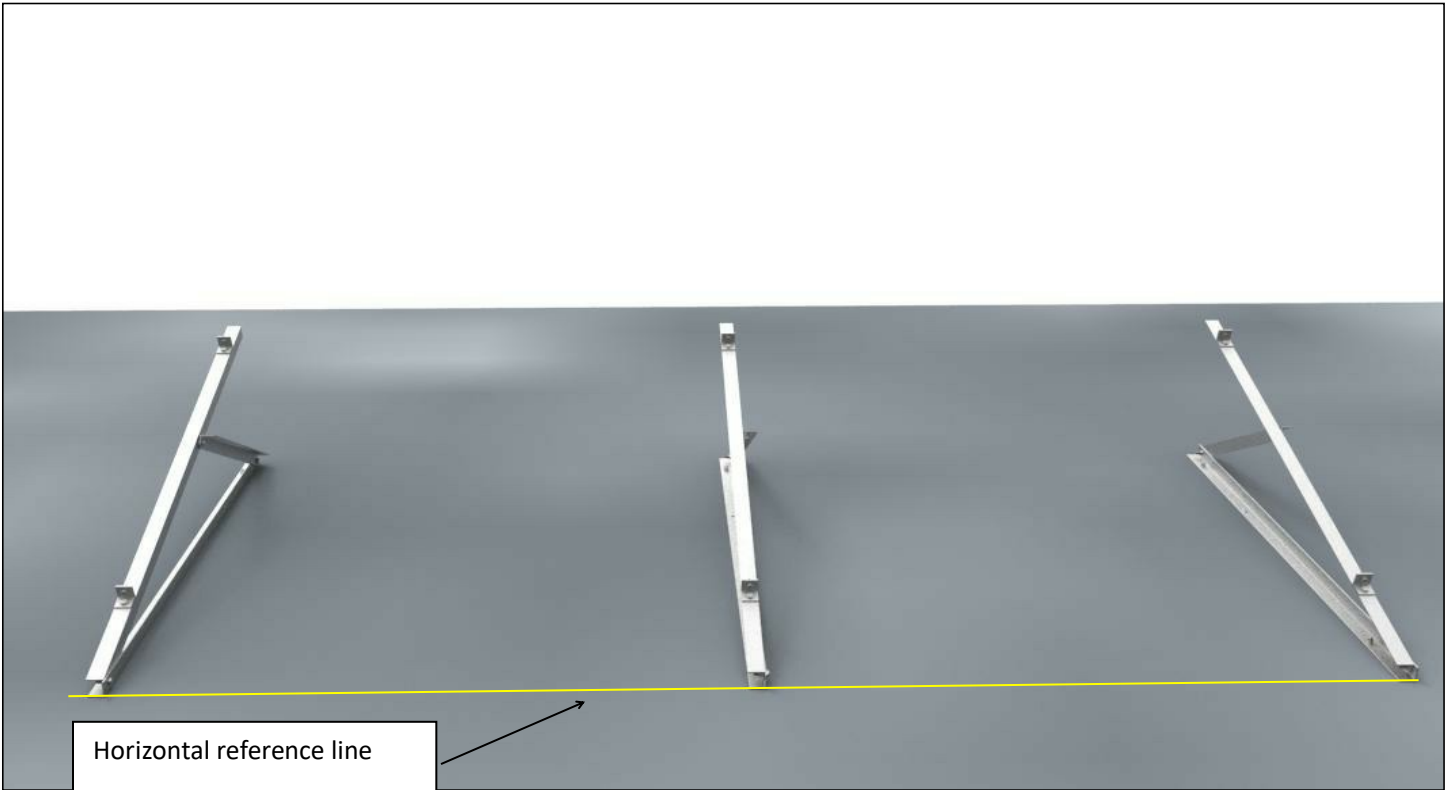
Installation Steps:

1. The Tri-brackets are pre-assembled. The pre drilled holes are set to for a 30° angle. Other angles can be achieved by drilling additional mounting holes (see below).

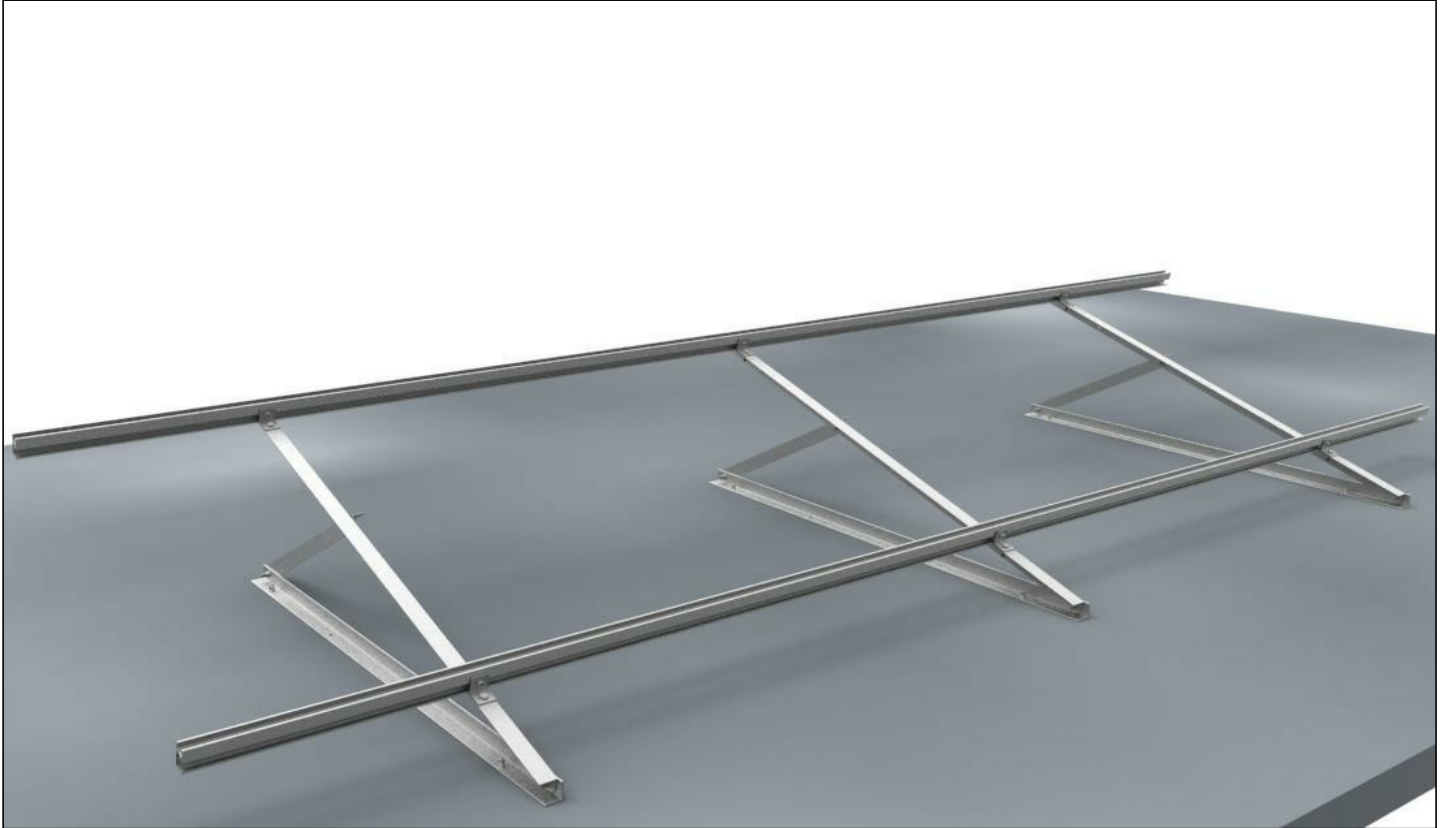


2. Install two angles to the tri-bracket with the bolts and nuts.

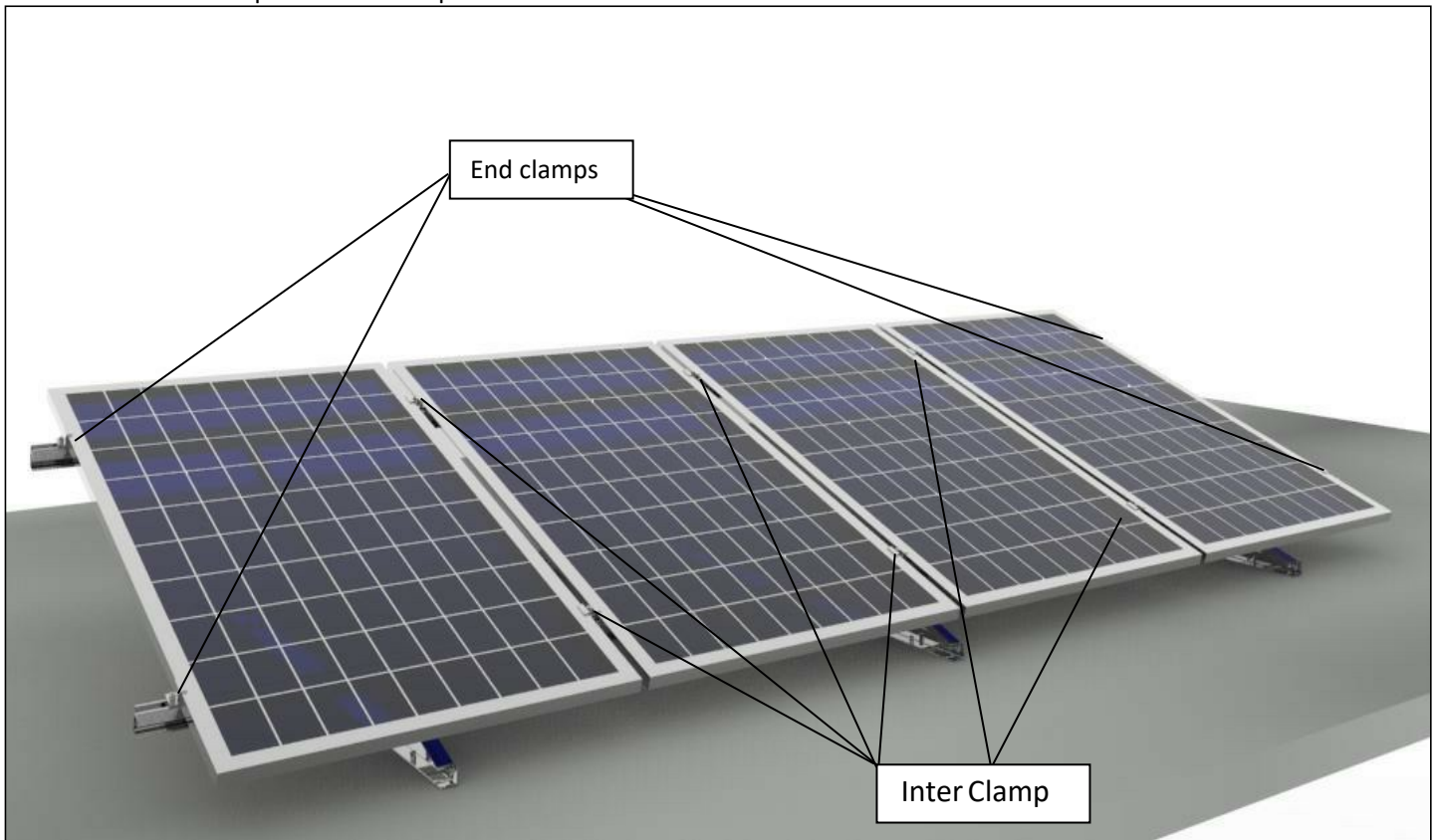




4. Install the rails as shown below.



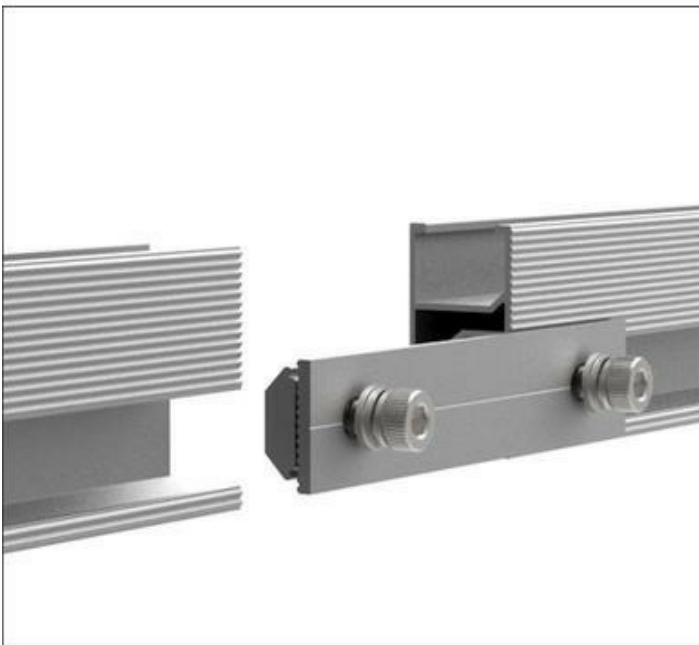
5. Place the first module of the bottom row. Slide the end clamp tightly against the module and fasten it. Install the end clamps and mid clamps.



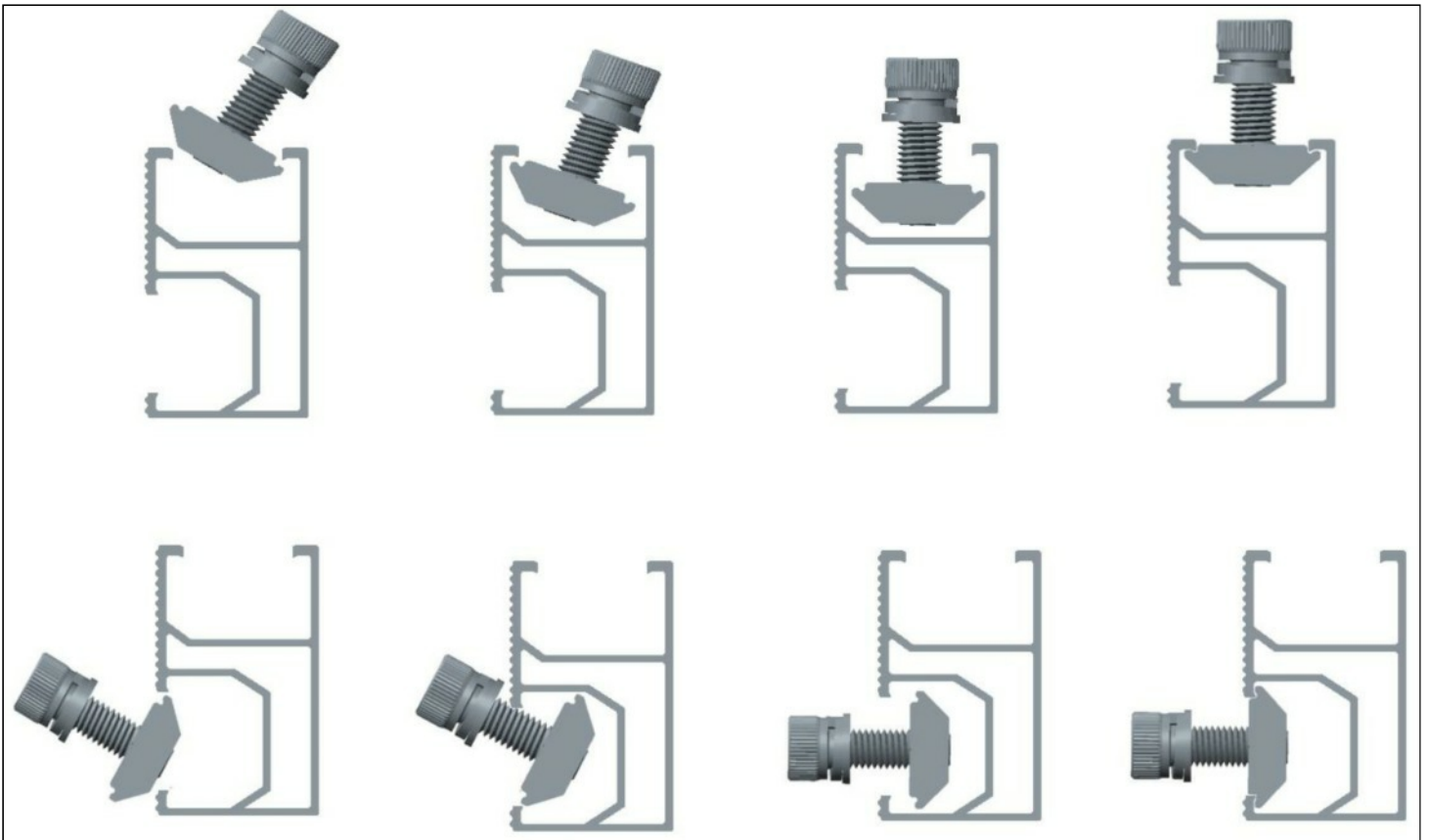
Tip:

Installation of the splice to connect multiple rails together.

Slide splice on the rear side of the rails. Fasten the first bolt firmly. Then slide next rail into the splice. When they come together, fasten the other bolt. An expansion gap at the rail joints is suggested. Leave a small gap.



Installation of nut:



Registered office:

Sunshine Solar Limited
Unit 30, Ashwellthorpe Industrial Estate
Ashwellthorpe
Norwich
Norfolk
NR16 1ER

tel. +44 (0)1508 488188

email. support@sunshinesolar.co.uk

web. www.sunshinesolar.co.uk